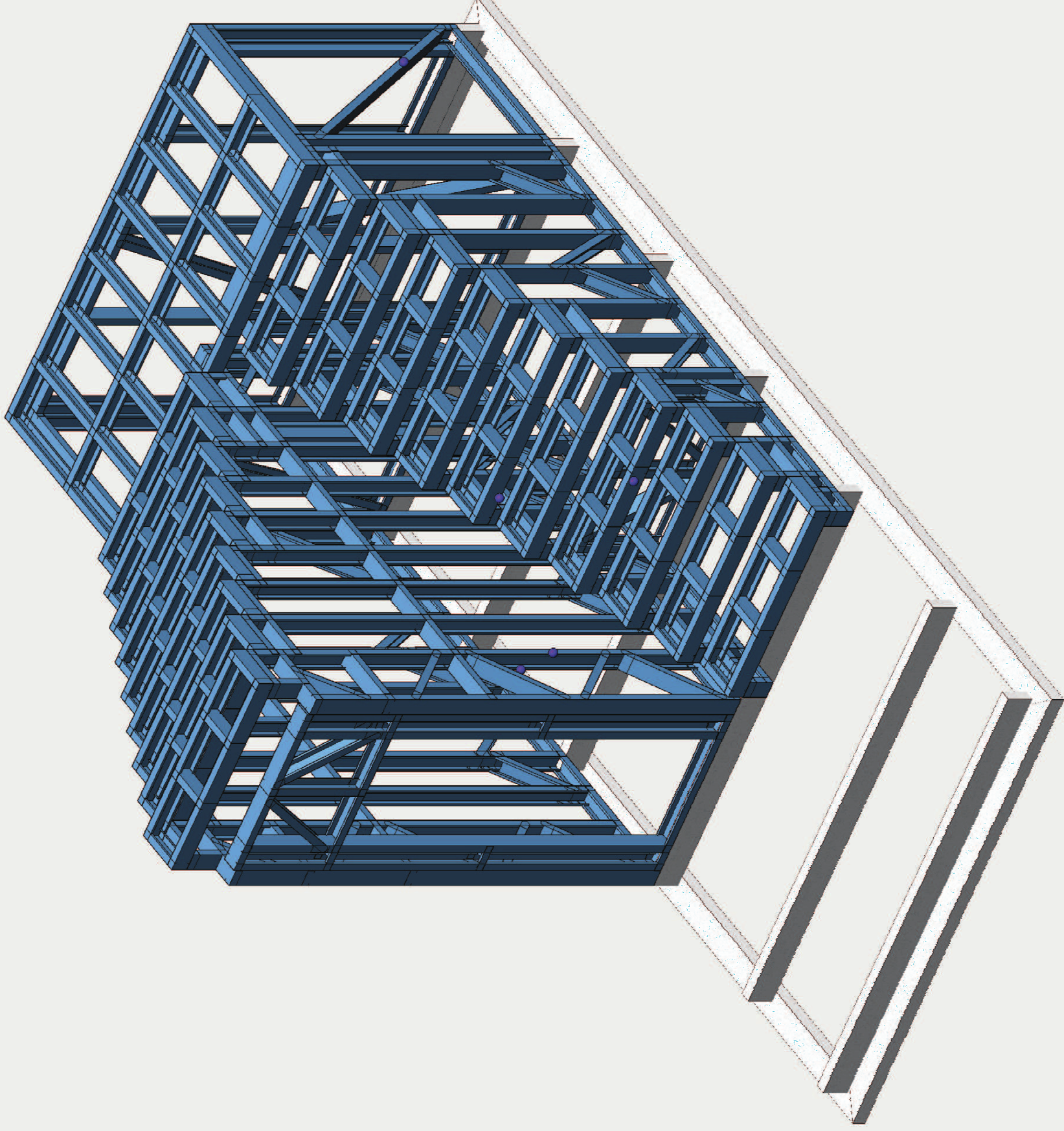
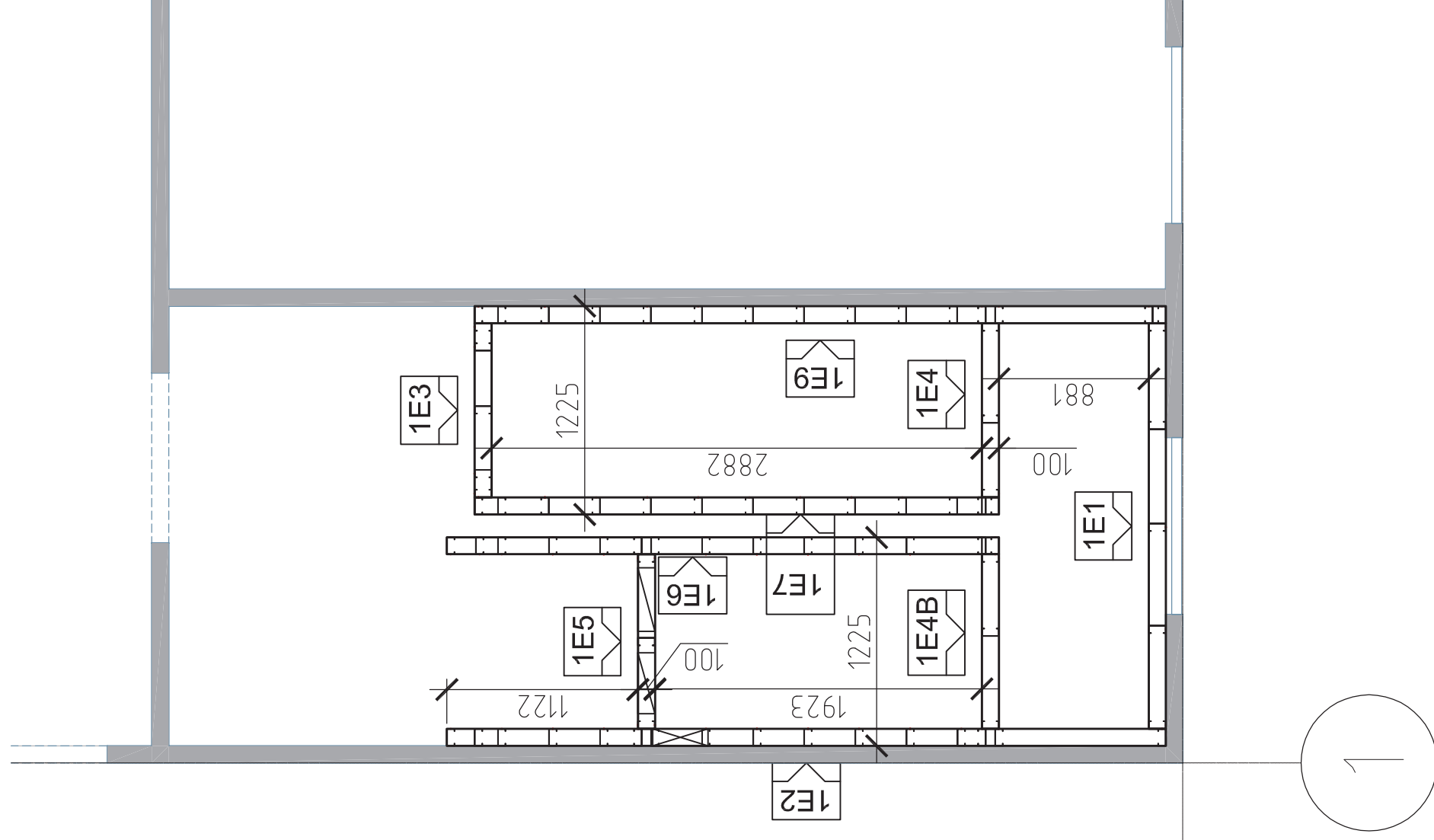


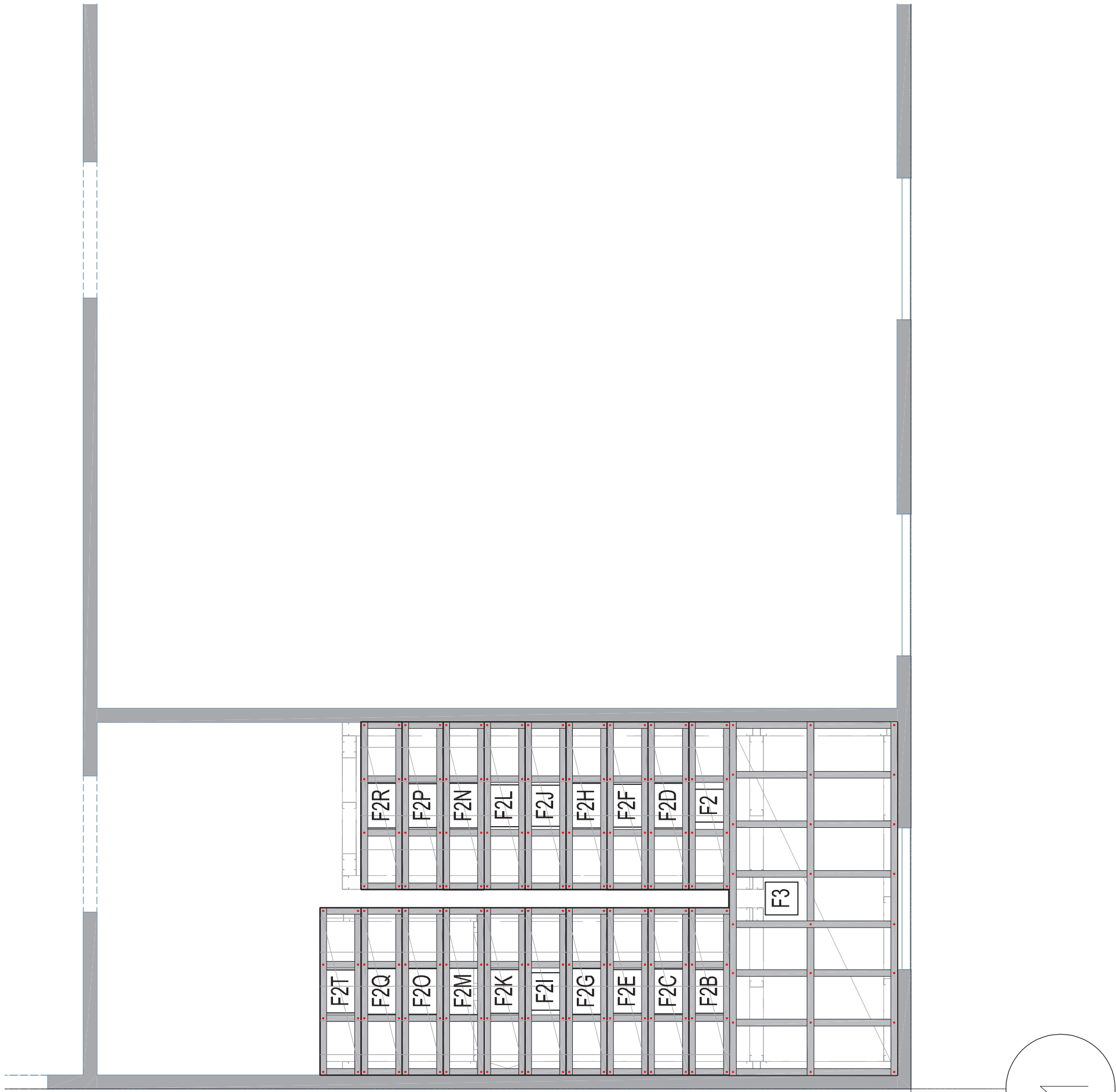
Лестница

Спецификация панелей лестницы

Panel ID	Qty	Weight (kg)
1E1	1	24,12
1E2	1	48,93
1E3	1	27,17
1E4	1	14,21
1E4B	1	14,21
1E5	1	8,56
1E6	1	36,79
1E7	1	71,29
1E9	1	81,76
F2	1	5,94
F2B	1	5,94
F2C	1	5,94
F2D	1	5,94
F2E	1	5,94
F2F	1	5,94
F2G	1	5,94
F2H	1	5,94
F2I	1	5,94
F2J	1	5,94
F2K	1	5,94
F2L	1	5,94
F2M	1	5,94
F2N	1	5,94
F2O	1	5,94
F2P	1	5,94
F2Q	1	5,94
F2R	1	5,94
F2T	1	5,94
F3	1	28,59
		468,42







WALL PANEL
1E1

QUANTITY
1

PROJECT
17_013

SCREW QTY: 24

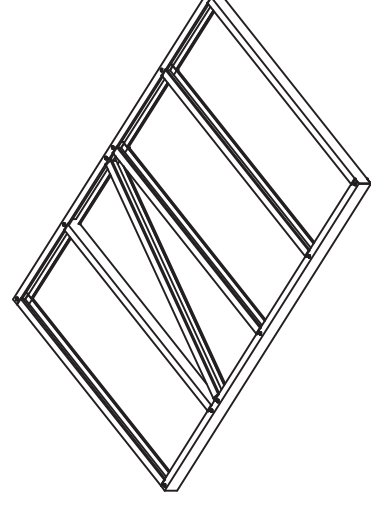
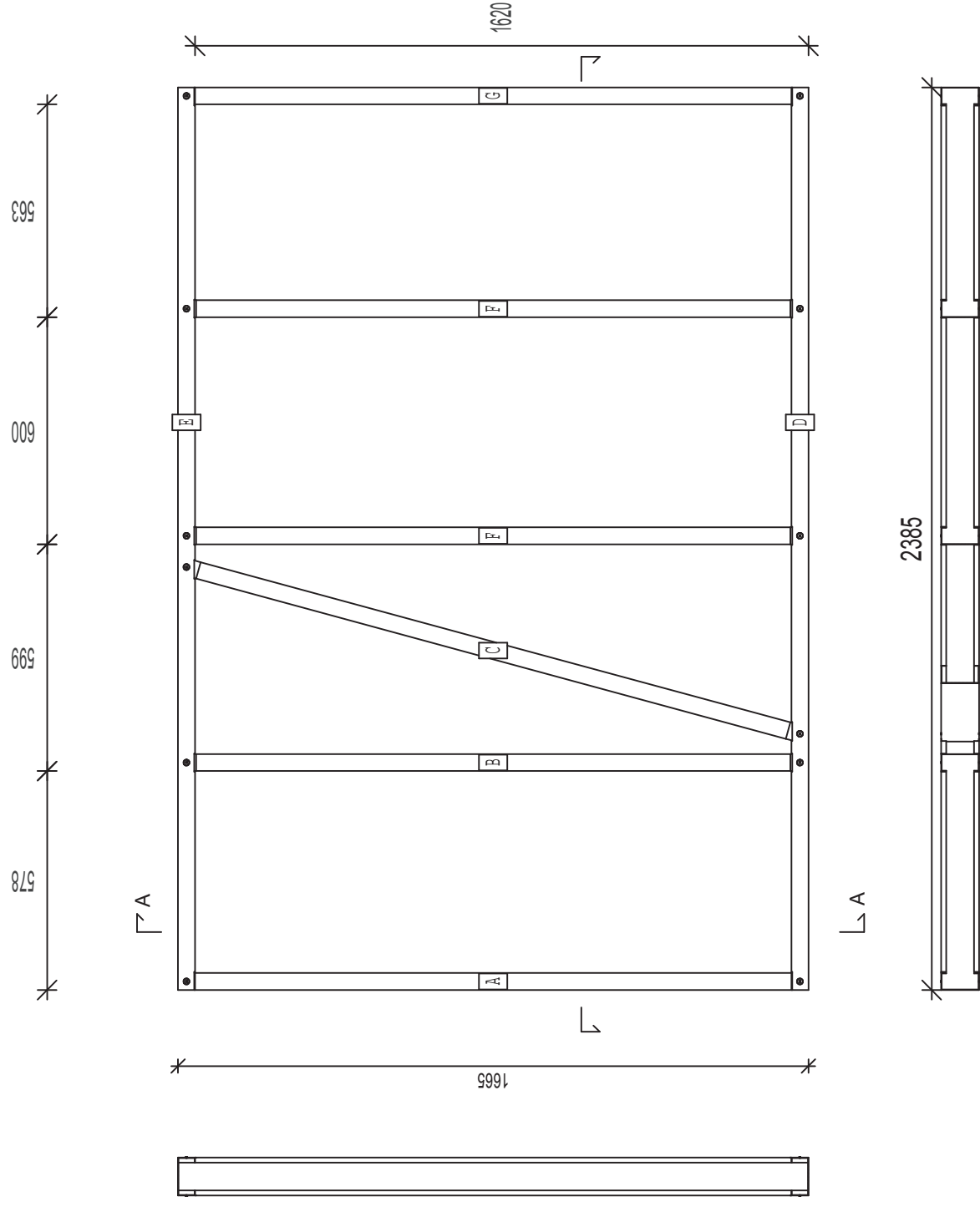
PANEL HEIGHT
1824

PANEL WEIGHT
24.1kg

16.03.2017

ООО "Директ Ивент" www.directsk.ru +7 988 966-11-12

PIECELIST				
LABEL	QTY	MATERIAL	DESCRIPTION	LENGTH
A	1	C100-45-13.6-1.0	STUD	1663
B	1	C100-45-13.6-1.0	STUD	1663
C	1	C100-45-13.6-1.0	STUD	1713
D	1	C100-45-13.6-1.0	BOTTOM TRACK	2385
E	1	C100-45-13.6-1.0	TOP TRACK	2385
F	2	C100-45-13.6-1.0	STUD	1663
G	1	C100-45-13.6-1.0	STUD	1663
Total Length: 14798.00mm				



WALL PANEL
1E2

QUANTITY
1

PROJECT
17_013

SCREW QTY: 116

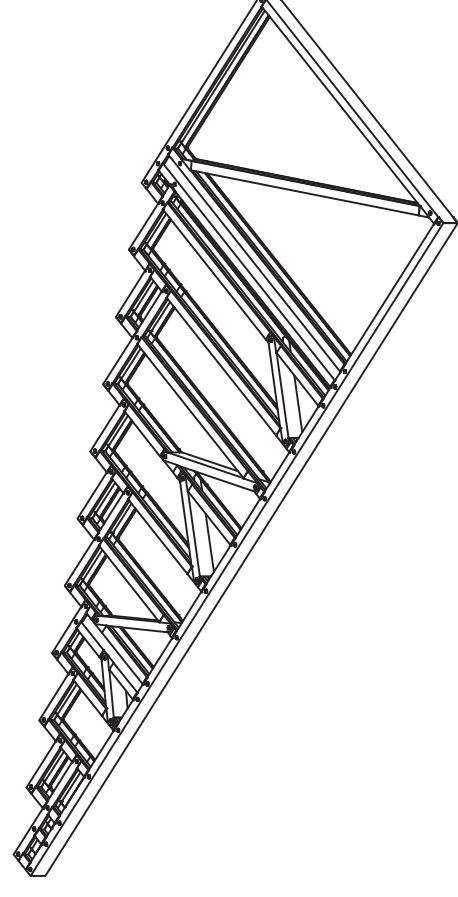
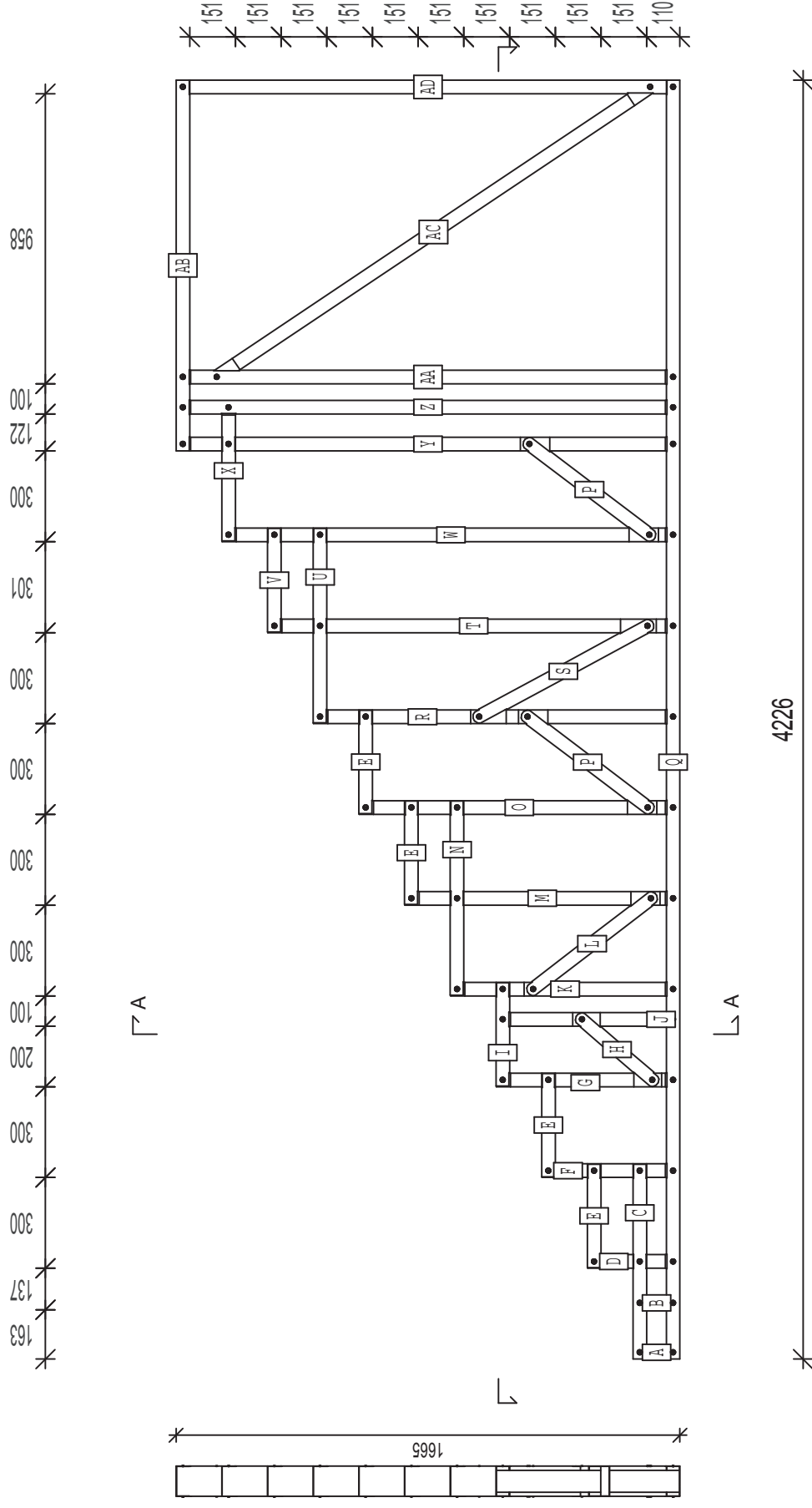
PANEL HEIGHT
1825

PANEL WEIGHT
48.9kg

17.03.2017

ООО "Директ Ивекст" www.directsk.ru +7 988 966-11-12

PECELIST				
LABEL	QTY	MATERIAL	DESCRIPTION	LENGTH
A	1	C100-45-13.6-1.0	STUD	153
AA	1	C100-45-13.6-1.0	BACKER STUD	1663
AB	1	C100-45-13.6-1.0	TOP TRACK	1225
AC	1	C100-45-13.6-1.0	STUD	1756
AD	1	C100-45-13.6-1.0	STUD	1663
B	1	C100-45-13.6-1.0	STUD	153
C	1	C100-45-13.6-1.0	TOP TRACK	644
D	1	C100-45-13.6-1.0	STUD	304
E	4	C100-45-13.6-1.0	TOP TRACK	342
F	1	C100-45-13.6-1.0	STUD	455
G	1	C100-45-13.6-1.0	STUD	606
H	1	C100-45-13.6-1.0	BACKER STUD	349
I	1	C100-45-13.6-1.0	TOP TRACK	342
J	1	C100-45-13.6-1.0	BACKER STUD	606
K	1	C100-45-13.6-1.0	STUD	757
L	1	C100-45-13.6-1.0	BACKER STUD	533
M	1	C100-45-13.6-1.0	STUD	908
N	1	C100-45-13.6-1.0	TOP TRACK	642
O	1	C100-45-13.6-1.0	STUD	1059
P	2	C100-45-13.6-1.0	BACKER STUD	539
Q	1	C100-45-13.6-1.0	BOTTOM TRACK	4226
R	1	C100-45-13.6-1.0	STUD	1210
S	1	C100-45-13.6-1.0	BACKER STUD	673
T	1	C100-45-13.6-1.0	STUD	1361
U	1	C100-45-13.6-1.0	TOP TRACK	643
V	1	C100-45-13.6-1.0	TOP TRACK	343
W	1	C100-45-13.6-1.0	STUD	1512
X	1	C100-45-13.6-1.0	TOP TRACK	463
Y	1	C100-45-13.6-1.0	BACKER STUD	1663
Z	1	C100-45-13.6-1.0	BACKER STUD	1663
Total length: 30021.00mm				



WALL PANEL
1E3

QUANTITY
1

PROJECT
17_013

SCREW QTY: 44

PANEL HEIGHT
3006

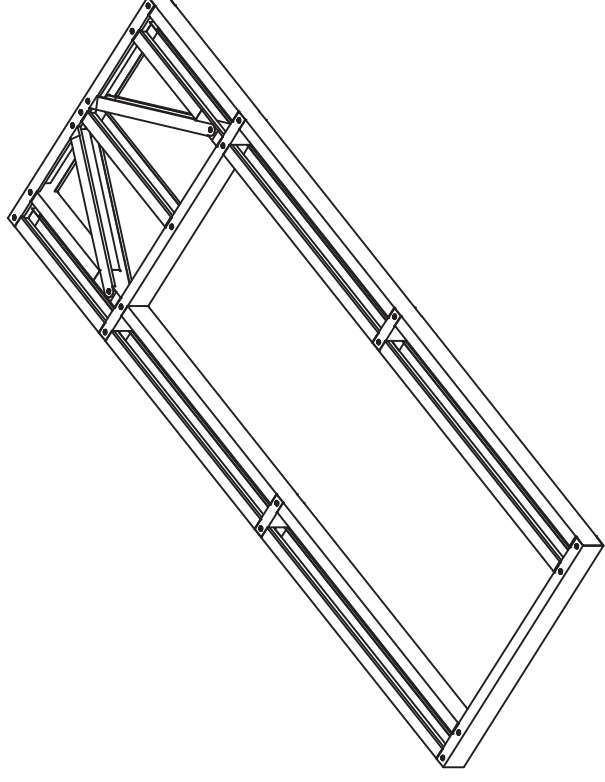
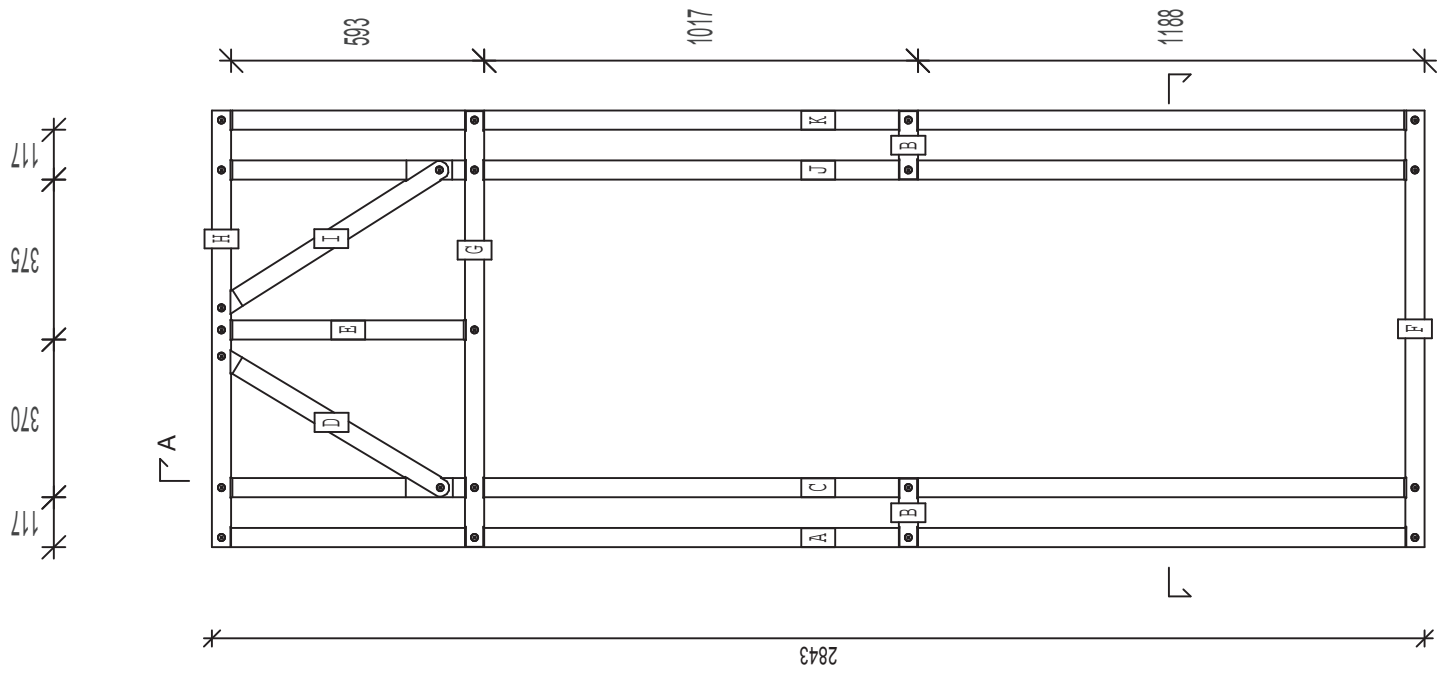
PANEL WEIGHT
27.2kg

17.03.2017

ООО "Директ Ивент" www.directsk.ru +7 988 966-11-12

PIECELIST				
LABEL	QTY	MATERIAL	DESCRIPTION	LENGTH
A	1	C100-45-13.6-1.0	STUD	2841
B	2	C100-45-13.6-1.0	BOTTOM TRACK	160
C	1	C100-45-13.6-1.0	KING STUD	2841
D	1	C100-45-13.6-1.0	BOTTOM TRACK	636
E	1	C100-45-13.6-1.0	KING STUD	636
F	1	C100-45-13.6-1.0	BOTTOM TRACK	1024
G	1	C100-45-13.6-1.0	BOTTOM TRACK	1022
H	1	C100-45-13.6-1.0	TOP TRACK	1024
I	1	C100-45-13.6-1.0	BOTTOM TRACK	642
J	1	C100-45-13.6-1.0	KING STUD	2841
K	1	C100-45-13.6-1.0	KING STUD	2841

Total Length: 16668.00mm



WALL PANEL
1E4

QUANTITY
1

PROJECT
17_013

SCREW QTY: 16

PANEL HEIGHT
1825

PANEL WEIGHT
14.2kg

17.03.2017

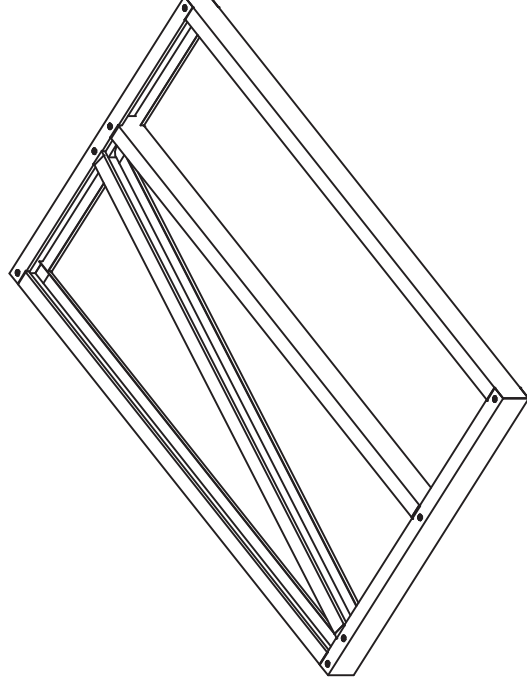
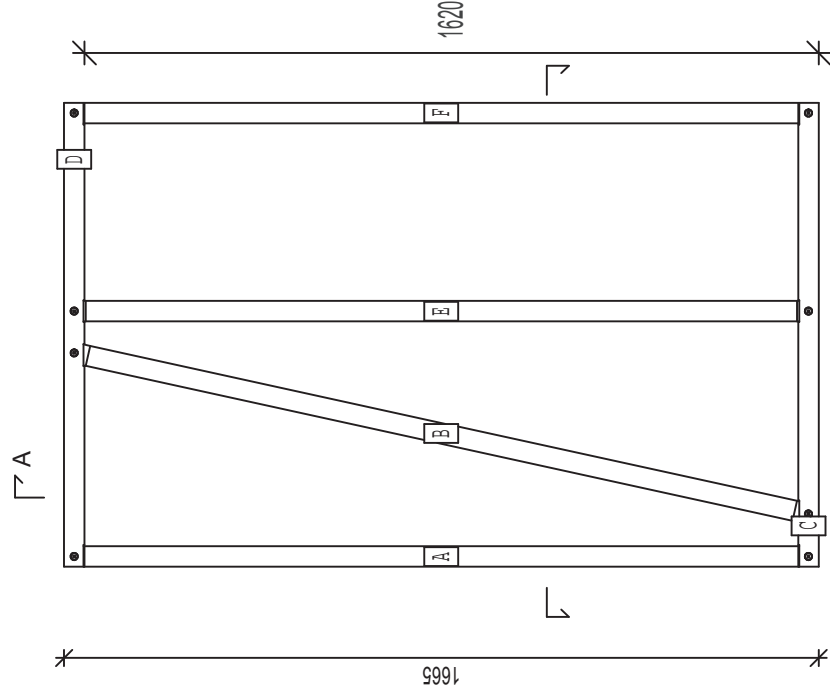
ООО "Директ Ивекст" www.directsk.ru +7 988 966-11-12

PIECELIST				
LABEL	QTY	MATERIAL	DESCRIPTION	LENGTH
A	1	C100-45-13.6-1.0	STUD	1663
B	1	C100-45-13.6-1.0	STUD	1692
C	1	C100-45-13.6-1.0	BOTTOM TRACK	1024
D	1	C100-45-13.6-1.0	TOP TRACK	1024
E	1	C100-45-13.6-1.0	STUD	1654
F	1	C100-45-13.6-1.0	STUD	1663

Total Length: 8720.00mm

542

437



1024

WALL PANEL
1E4B

QUANTITY
1

PROJECT
17_013

SCREW QTY: 16

PANEL HEIGHT
1825

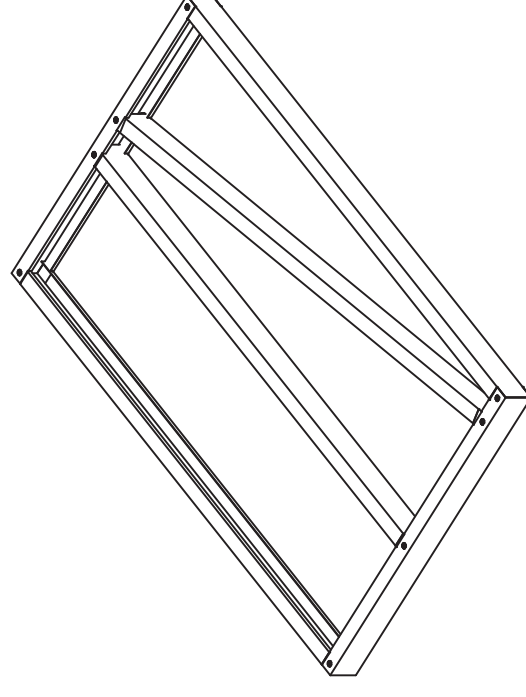
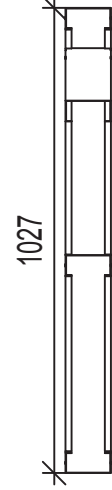
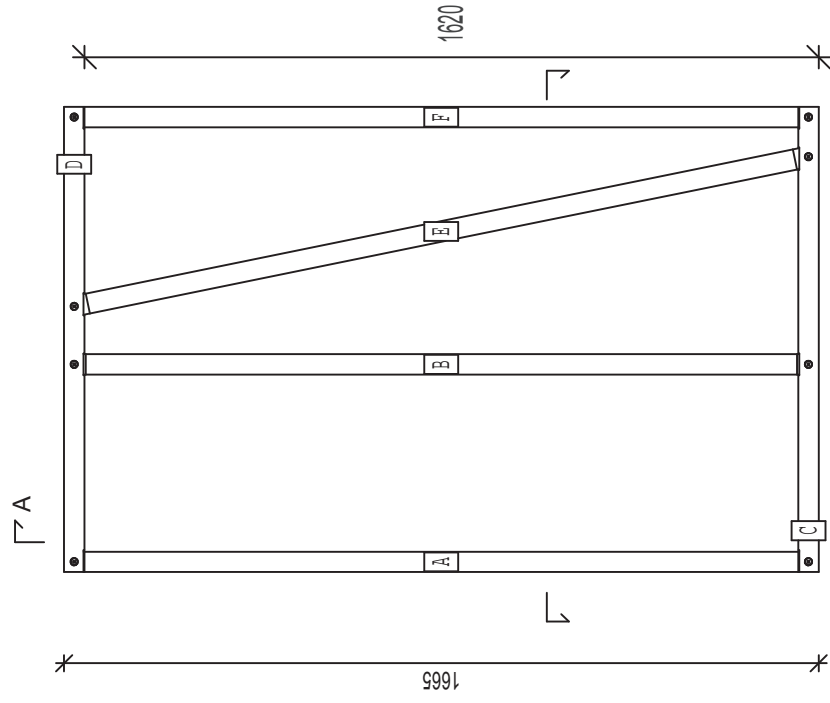
PANEL WEIGHT
14.2kg

17.03.2017

ООО "Директ Ивент" www.directsk.ru +7 988 966-11-12

436

546



PECELIST				
LABEL	QTY	MATERIAL	DESCRIPTION	LENGTH
A	1	C100-45-13.6-1.0	STUD	1663
B	1	C100-45-13.6-1.0	STUD	1654
C	1	C100-45-13.6-1.0	BOTTOM TRACK	1027
D	1	C100-45-13.6-1.0	TOP TRACK	1027
E	1	C100-45-13.6-1.0	STUD	1687
F	1	C100-45-13.6-1.0	STUD	1663

Total Length: 8721.00mm

WALL PANEL
1E5

QUANTITY
1

PROJECT
17_013

SCREW QTY: 20

PANEL HEIGHT
1426

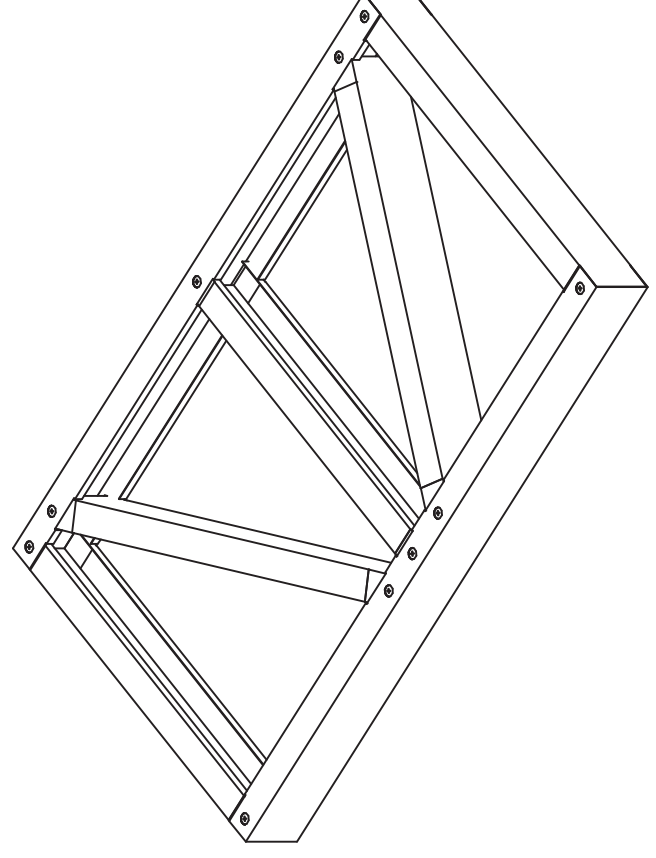
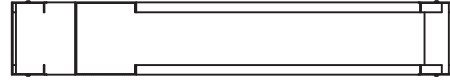
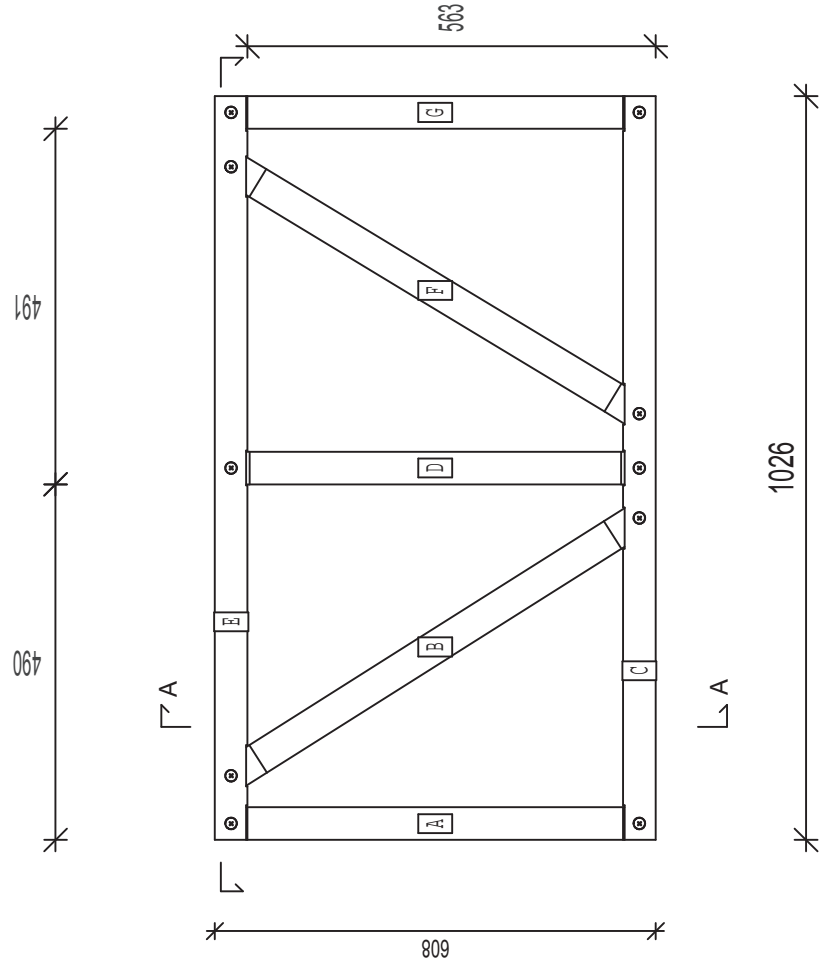
PANEL WEIGHT
8.6kg

17.03.2017

ООО "Директ Ивент" www.directsk.ru +7 988 966-11-12

PIECELIST				
LABEL	QTY	MATERIAL	DESCRIPTION	LENGTH
A	1	C100-45-13.6-1.0	STUD	606
B	1	C100-45-13.6-1.0	DIAGONAL BRACE	689
C	1	C100-45-13.6-1.0	BOTTOM TRACK	1026
D	1	C100-45-13.6-1.0	STUD	597
E	1	C100-45-13.6-1.0	TOP TRACK	1026
F	1	C100-45-13.6-1.0	DIAGONAL BRACE	682
G	1	C100-45-13.6-1.0	STUD	606

Total Length: 5252.00mm



WALL PANEL
1E6

QUANTITY
1

PROJECT
17_013

SCREW QTY: 100

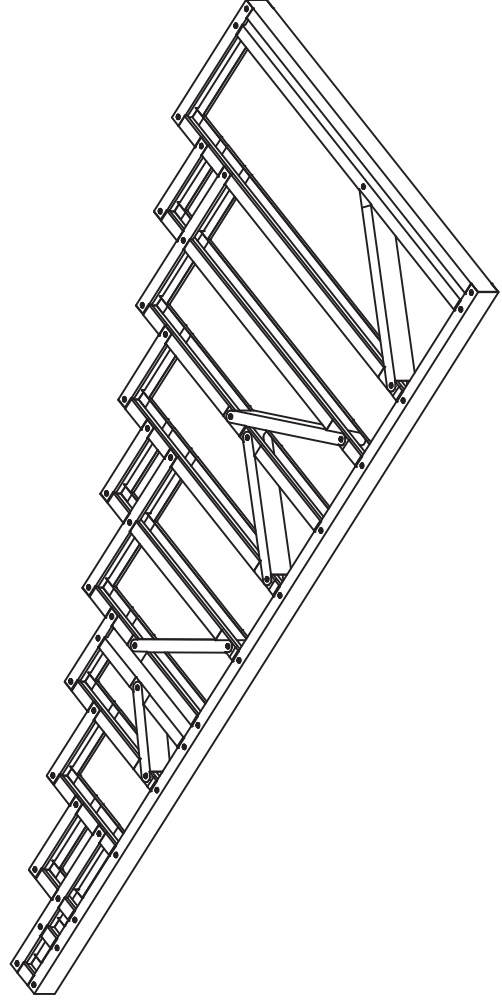
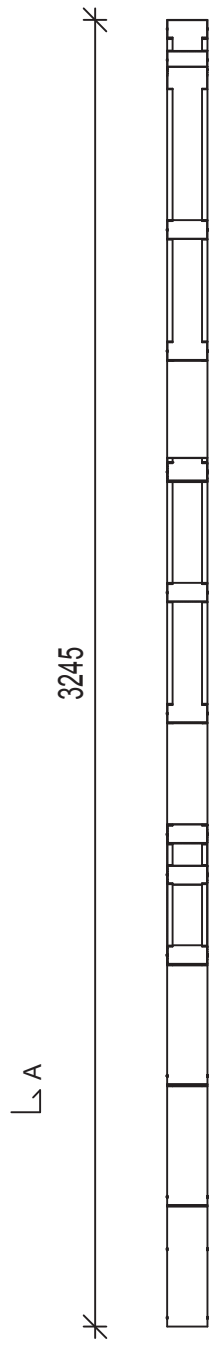
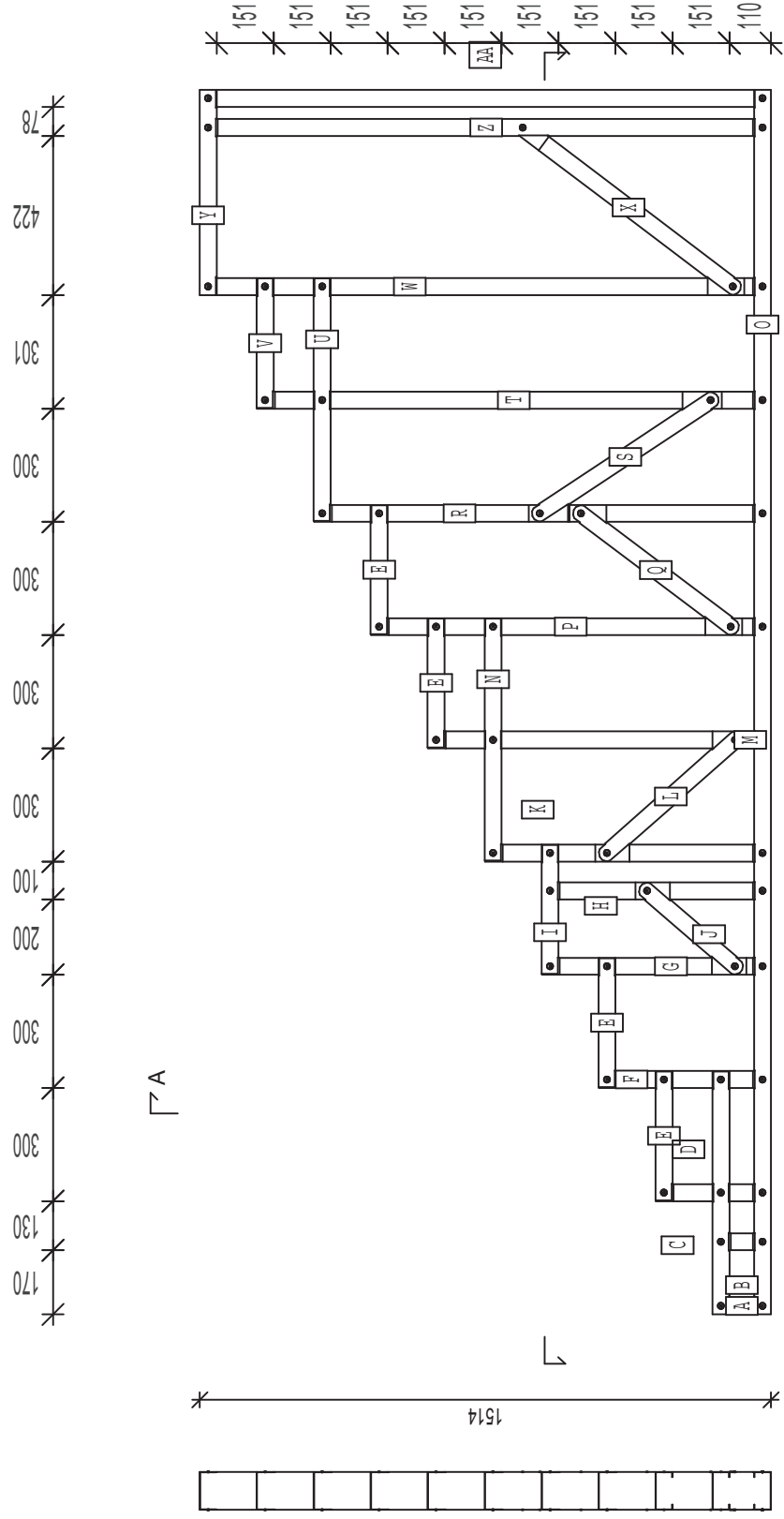
PANEL HEIGHT
1673

PANEL WEIGHT
36.8kg

17.03.2017

ООО "Директ Ивент" www.directsk.ru +7 988 966-11-12

PIECELIST				
LABEL	QTY	MATERIAL	DESCRIPTION	LENGTH
A	1	C100-45-13.6-1.0	STUD	153
AA	1	C100-45-13.6-1.0	STUD	1512
B	1	C100-45-13.6-1.0	STUD	153
C	1	C100-45-13.6-1.0	TOP TRACK	644
D	1	C100-45-13.6-1.0	STUD	304
E	4	C100-45-13.6-1.0	TOP TRACK	342
F	1	C100-45-13.6-1.0	STUD	455
G	1	C100-45-13.6-1.0	STUD	606
H	1	C100-45-13.6-1.0	BACKER STUD	349
I	1	C100-45-13.6-1.0	TOP TRACK	342
J	1	C100-45-13.6-1.0	BACKER STUD	606
K	1	C100-45-13.6-1.0	STUD	757
L	1	C100-45-13.6-1.0	BACKER STUD	485
M	1	C100-45-13.6-1.0	STUD	908
N	1	C100-45-13.6-1.0	TOP TRACK	642
O	1	C100-45-13.6-1.0	BOTTOM TRACK	3245
P	1	C100-45-13.6-1.0	STUD	1059
Q	1	C100-45-13.6-1.0	BACKER STUD	539
R	1	C100-45-13.6-1.0	STUD	1210
S	1	C100-45-13.6-1.0	BACKER STUD	584
T	1	C100-45-13.6-1.0	STUD	1361
U	1	C100-45-13.6-1.0	TOP TRACK	643
V	1	C100-45-13.6-1.0	TOP TRACK	343
W	1	C100-45-13.6-1.0	STUD	1512
X	1	C100-45-13.6-1.0	BACKER STUD	736
Y	1	C100-45-13.6-1.0	TOP TRACK	544
Z	1	C100-45-13.6-1.0	STUD	1508
Total length: 22578.00mm				



WALL PANEL
1E7

QUANTITY
1

PROJECT
17_013

SCREW QTY: 42

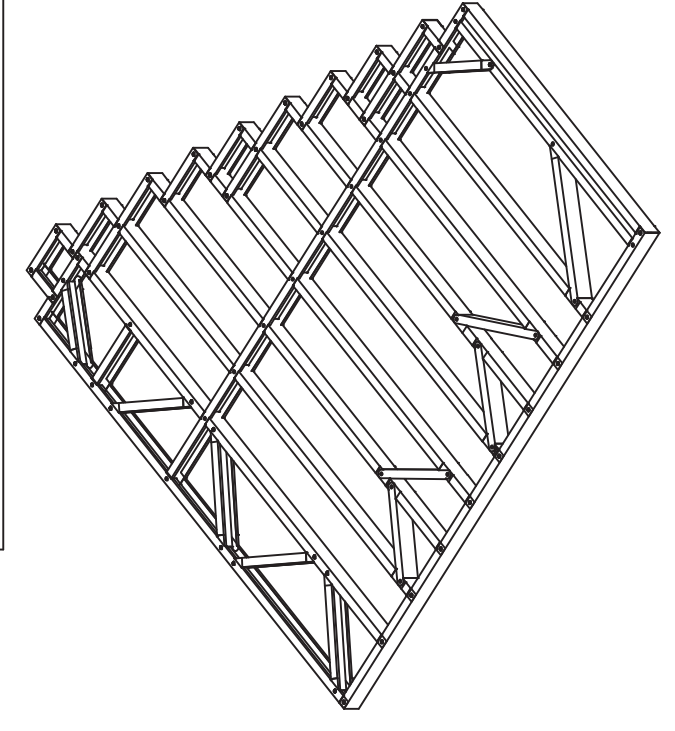
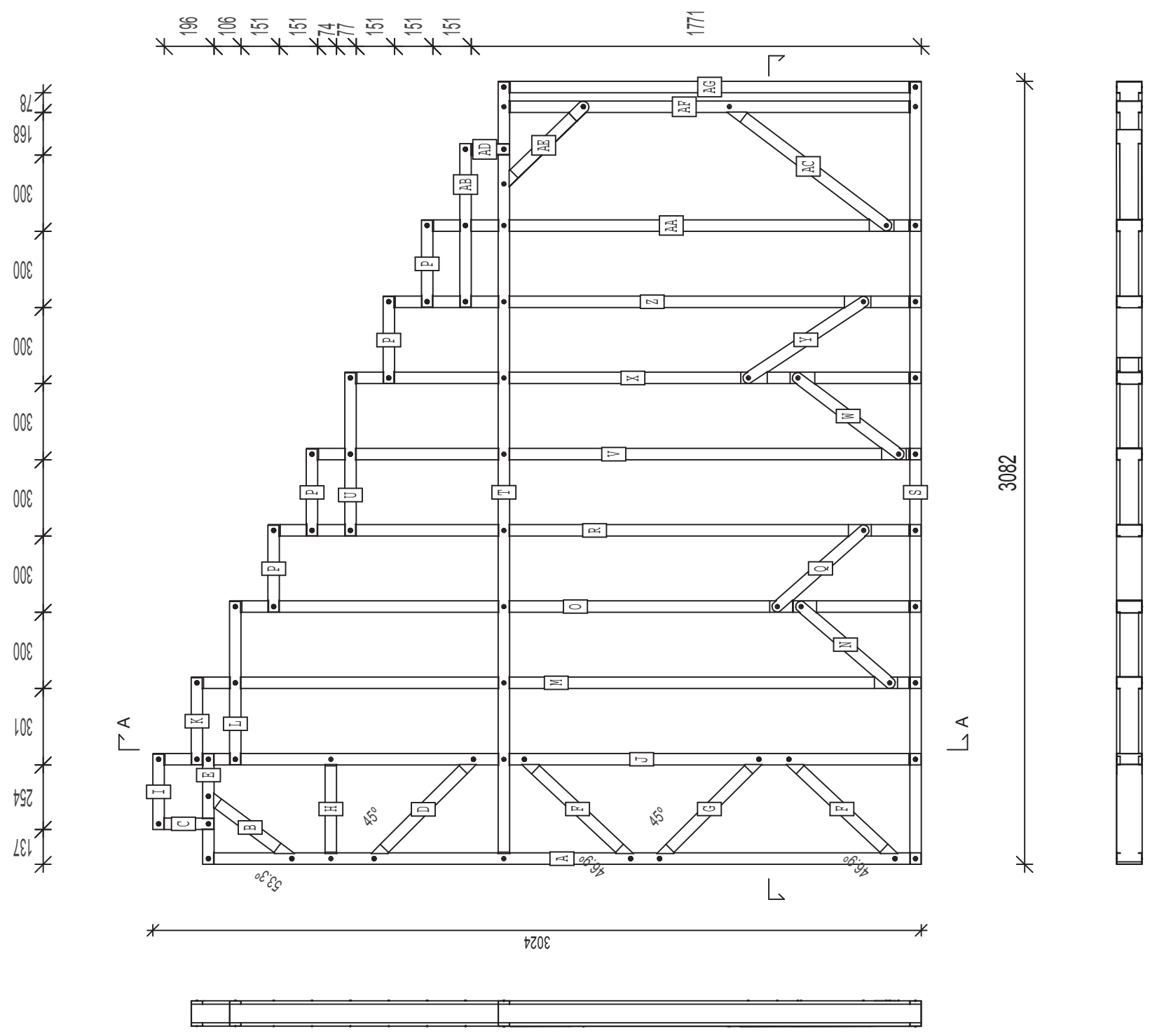
PANEL HEIGHT
3183

PANEL WEIGHT
71.3kg

17.03.2017

ООО "Директ Ивент" www.directsk.ru +7 988 966-11-12

PECELIST				
LABEL	QTY	MATERIAL	DESCRIPTION	LENGTH
A	1	C100-45-13.6-1.0	STUD	2826
AA	1	C100-45-13.6-1.0	STUD	1965
AB	1	C100-45-13.6-1.0	TOP TRACK	644
AC	1	C100-45-13.6-1.0	BACKER STUD	812
AD	1	C100-45-13.6-1.0	STUD	194
AE	1	C100-45-13.6-1.0	BACKER STUD	478
AF	1	C100-45-13.6-1.0	STUD	1663
AG	1	C100-45-13.6-1.0	STUD	1663
B	1	C100-45-13.6-1.0	TOP TRACK	452
C	1	C100-45-13.6-1.0	STUD	239
D	1	C100-45-13.6-1.0	TOP TRACK	581
E	1	C100-45-13.6-1.0	TOP TRACK	435
F	2	C100-45-13.6-1.0	TOP TRACK	605
G	1	C100-45-13.6-1.0	TOP TRACK	566
H	1	C100-45-13.6-1.0	TOP TRACK	434
I	1	C100-45-13.6-1.0	TOP TRACK	297
J	1	C100-45-13.6-1.0	STUD	3022
K	1	C100-45-13.6-1.0	TOP TRACK	343
L	1	C100-45-13.6-1.0	TOP TRACK	643
M	1	C100-45-13.6-1.0	STUD	2871
N	1	C100-45-13.6-1.0	BACKER STUD	502
O	1	C100-45-13.6-1.0	STUD	2720
P	4	C100-45-13.6-1.0	TOP TRACK	342
Q	1	C100-45-13.6-1.0	BACKER STUD	485
R	1	C100-45-13.6-1.0	STUD	2569
S	1	C100-45-13.6-1.0	BOTTOM TRACK	3080
T	1	C100-45-13.6-1.0	TOP TRACK	3074
U	1	C100-45-13.6-1.0	TOP TRACK	642
V	1	C100-45-13.6-1.0	STUD	2418
W	1	C100-45-13.6-1.0	BACKER STUD	539
X	1	C100-45-13.6-1.0	STUD	2267
Y	1	C100-45-13.6-1.0	BACKER STUD	584
Z	1	C100-45-13.6-1.0	STUD	2116
Total length: 43742.00mm				



WALL PANEL
1E9

QUANTITY
1

PROJECT
17_013

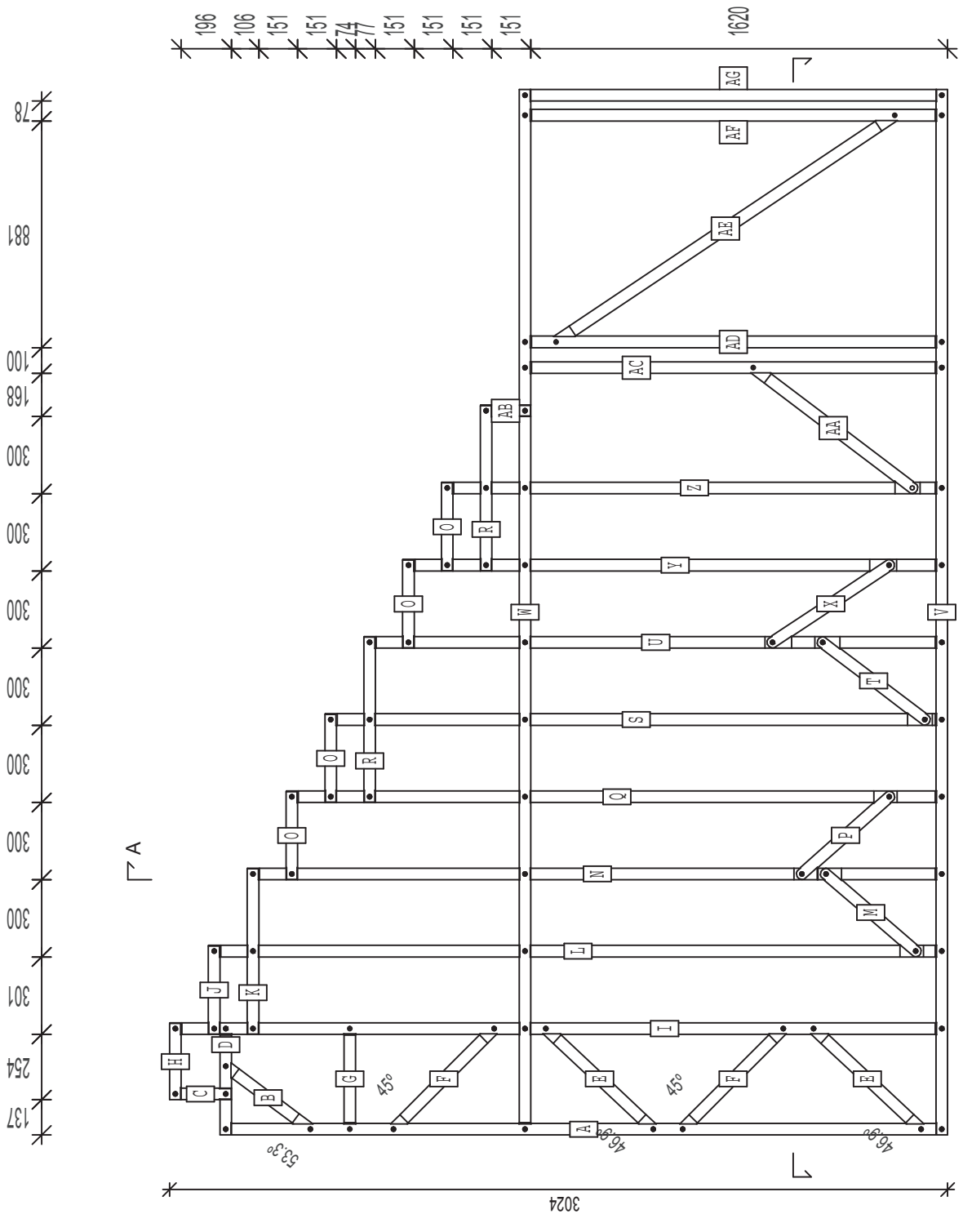
SCREW QTY: 150

PANEL HEIGHT
3183

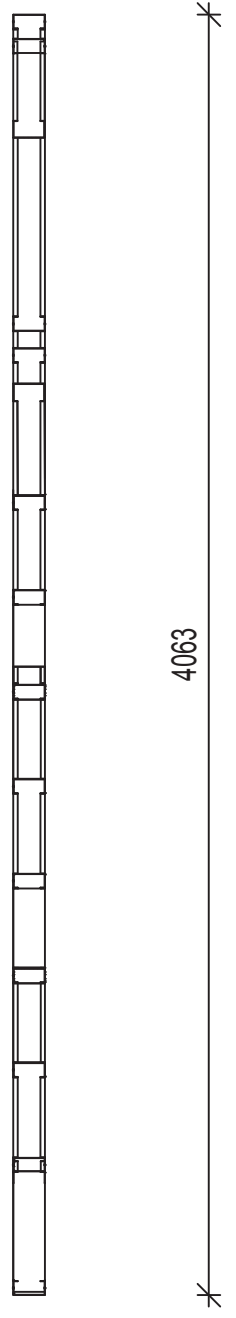
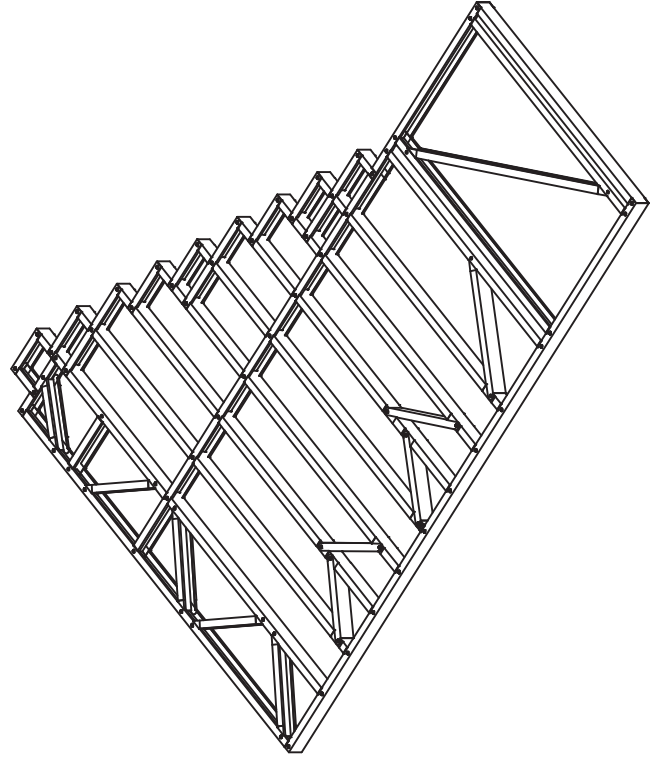
PANEL WEIGHT
81.8kg

17.03.2017

ООО "Директ Ивекст" www.directsk.ru +7 988 966-11-12



PECELIST				
LABEL	QTY	MATERIAL	DESCRIPTION	LENGTH
A	1	C100-45-13.6-1.0	STUD	2826
AA	1	C100-45-13.6-1.0	BACKER STUD	812
AB	1	C100-45-13.6-1.0	STUD	194
AC	1	C100-45-13.6-1.0	BACKER STUD	1663
AD	1	C100-45-13.6-1.0	BACKER STUD	1663
AE	1	C100-45-13.6-1.0	STUD	1617
AF	1	C100-45-13.6-1.0	STUD	1663
AG	1	C100-45-13.6-1.0	STUD	1663
B	1	C100-45-13.6-1.0	TOP TRACK	443
C	1	C100-45-13.6-1.0	STUD	239
D	1	C100-45-13.6-1.0	TOP TRACK	435
E	2	C100-45-13.6-1.0	TOP TRACK	605
F	2	C100-45-13.6-1.0	TOP TRACK	566
G	1	C100-45-13.6-1.0	TOP TRACK	434
H	1	C100-45-13.6-1.0	TOP TRACK	297
I	1	C100-45-13.6-1.0	STUD	3022
J	1	C100-45-13.6-1.0	TOP TRACK	343
K	1	C100-45-13.6-1.0	TOP TRACK	643
L	1	C100-45-13.6-1.0	STUD	2871
M	1	C100-45-13.6-1.0	BACKER STUD	502
N	1	C100-45-13.6-1.0	STUD	2720
O	4	C100-45-13.6-1.0	TOP TRACK	342
P	1	C100-45-13.6-1.0	BACKER STUD	485
Q	1	C100-45-13.6-1.0	STUD	2569
R	2	C100-45-13.6-1.0	TOP TRACK	642
S	1	C100-45-13.6-1.0	STUD	2418
T	1	C100-45-13.6-1.0	BACKER STUD	539
U	1	C100-45-13.6-1.0	STUD	2267
V	1	C100-45-13.6-1.0	BOTTOM TRACK	4063
W	1	C100-45-13.6-1.0	TOP TRACK	4062
X	1	C100-45-13.6-1.0	BACKER STUD	584
Y	1	C100-45-13.6-1.0	STUD	2116
Z	1	C100-45-13.6-1.0	STUD	1965
Total Length: 50162.00mm				



FLOOR PANEL

F2-F2T(все ступени)

QUANTITY
19

PROJECT
17_013

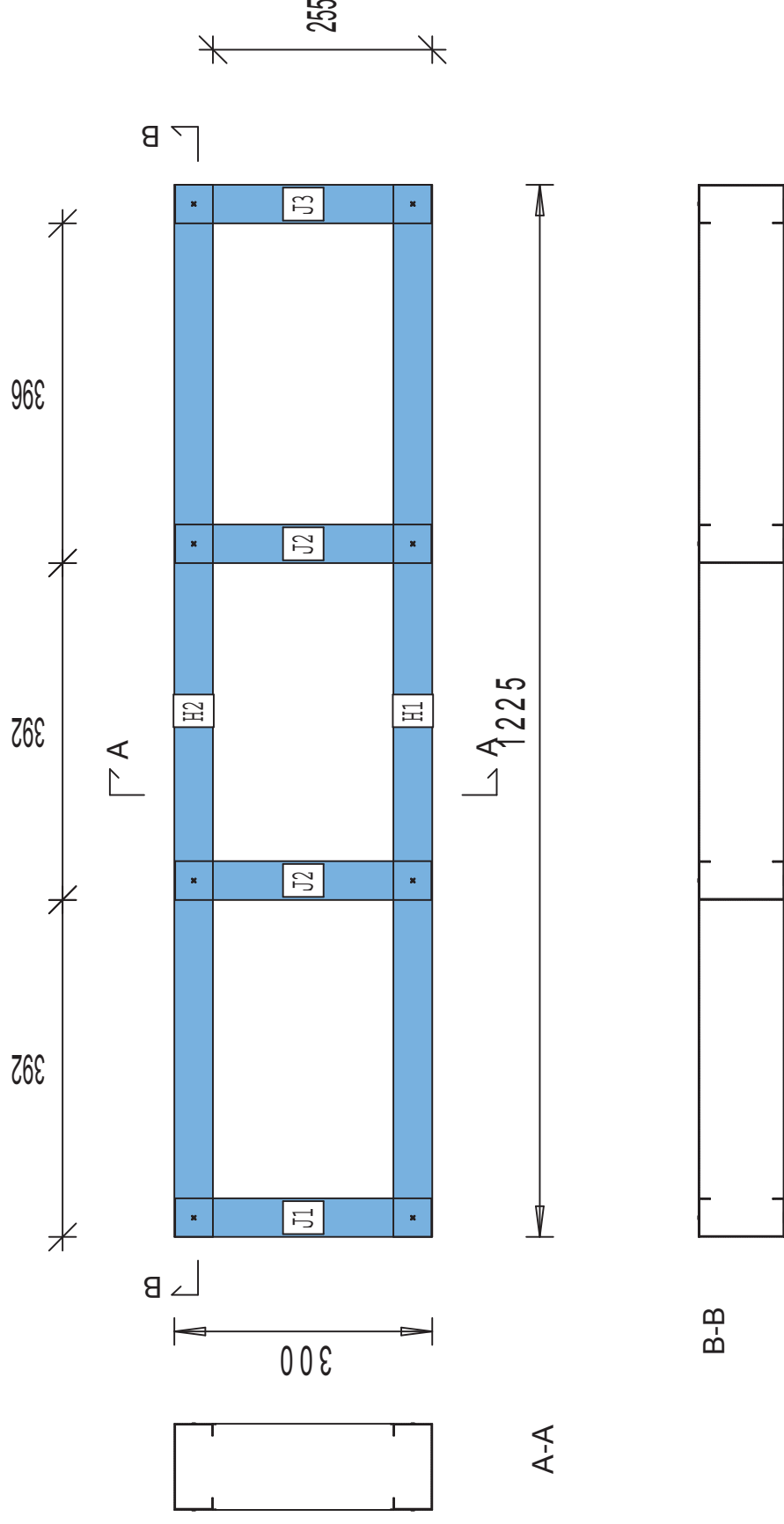
SCREW QTY: 16

PANEL WEIGHT
5.9kg

17.03.2017

ООО "Директ Инвест" www.directstk.ru +7 988 966-11-12

JOIST SCHEDULE				
PCE	QTY	MTRL	DESCRIPTION	LENGTH
H1	1	C100-45-13.6-1.0	HEADER	1225
H2	1	C100-45-13.6-1.0	HEADER	1225
J1	1	C100-45-13.6-1.0	SIDE JOIST	298
J2	2	C100-45-13.6-1.0	JOIST	298
J3	1	C100-45-13.6-1.0	SIDE JOIST	298
Total length: 3642.00mm				



FLOOR PANEL

F3(площадка)

QUANTITY
1

PROJECT
17_013

SCREW QTY: 48

PANEL WEIGHT
28.6kg

17.03.2017

ООО "Директ Инвест" www.directstk.ru +7 988 966-11-12

JOIST SCHEDULE				
PCE	QTY	MTRL	DESCRIPTION	LENGTH
H1	1	C100-45-13.6-1.0	HEADER	2585
H3	1	C100-45-13.6-1.0	HEADER	2585
H2	1	C100-45-13.6-1.0	HEADER	2583
J1	1	C100-45-13.6-1.0	SIDE JOIST	1223
J2	6	C100-45-13.6-1.0	SIDE JOIST	1223
J3	1	C100-45-13.6-1.0	SIDE JOIST	1223

Total Length: 17537.00mm

